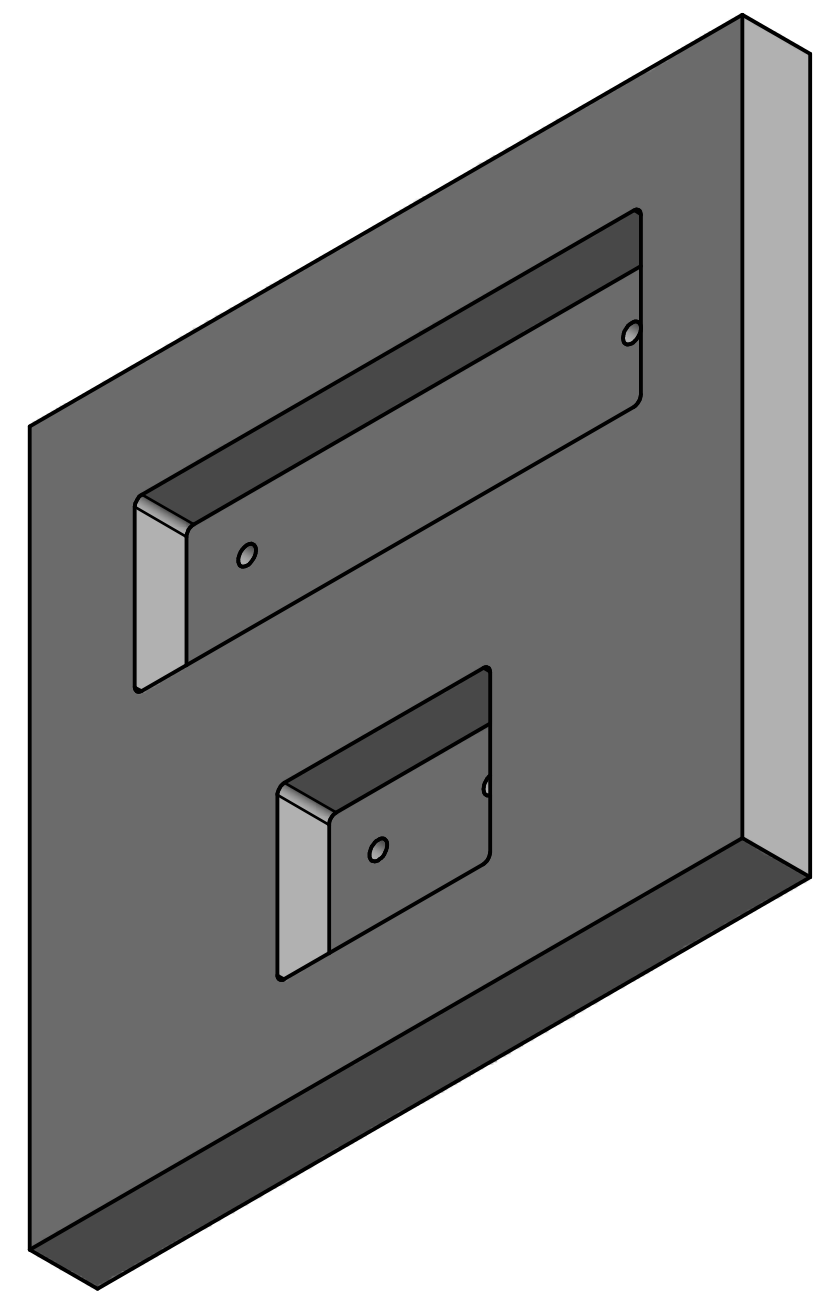
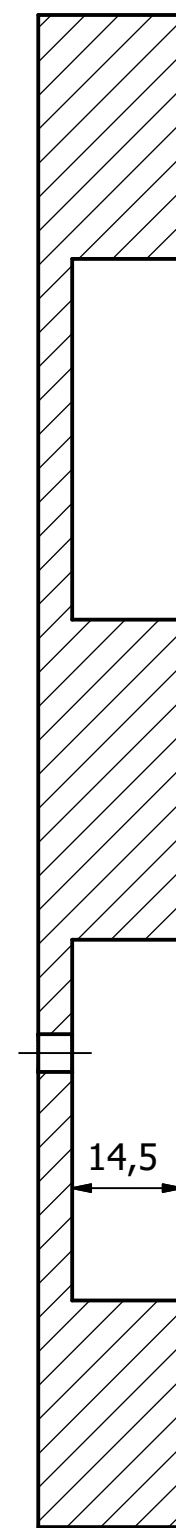


B-B (1 : 1)



Toleràncies en mm segons DIN ISO-2768-m								
>0.5-3	>3-6	>6-30	>30-120	>120-400	>400-1000	>1000-2000	>2000-4000	Angle
±0.1	±0.1	±0.2	±0.3	±0.5	±0.8	±1.2	±2	0.5°
Toleràncies específiques producte:								
CC = ± 0.3mm		L = 120-599(+0.5 -0.2) 600-1200 (+0.8 -0.2)						

Nº	Modification	Date	Tolerance	Scale	Drawing	23/01/2019	Marta Antolin
			ISO 2768-m	1:1	Checked	23/01/2019	Marta Antolin
Material:							A3
Quality: <input type="checkbox"/> For inspection							
WAVE_ASSEMBLY							0091
Version: 0091_ASSEMBLY_00							

